

Code	48SGV96F0A1U	Extra UE Only	No
Family	VX-ST	Uses	Civil
Group	Sewage Pumps		Household
Typology	Submersible		Industrial

Application limits

Liquid Type	Sewage Water
Minimum liquid temperature	0 °C
Maximum liquid temperature	40 °C
Maximum Chlorine Content	- ppm
Maximum Sand Content	- ppm
Manometric suction lift	0 m
Maximum immersion depth	5,00 m
Maximum Ambient Temperature	- °C
Minimum Ambient Temperature	- °C
Maximum Working Pressure	- bar

Duty Point

Flow rate (actual)	0,000 l/min
Head (actual)	0,000 m

Pump nameplate data

Flow rate	50 - 650 l/min
Head	13 - 2 m
Maximum head	13.5 m
Minimum head	2 m
Minimum Efficiency Index	-

Motor nameplate data

Voltage	220-240 V
Phases	1
Frequency	50 Hz
Rotation Speed	2900 rpm
Rated output power	1,10 kW
Rated Current	7 A
Input power P1	1,55 kW
Efficiency grade	Undefined
Capacitor	35 µF
Capacitor Voltage	450 V
Insulation Class	F
Enclosure class IP	X8

Construction and safety standards

- 10 m long power cable.
- Float switch for single-phase versions.
- EN 60335-1, IEC 60335-1
- EN 60034-1, IEC 60034-1

Connections

Type of connection	Gas threaded
Size of suction connection	-
Size of delivery connection	2"

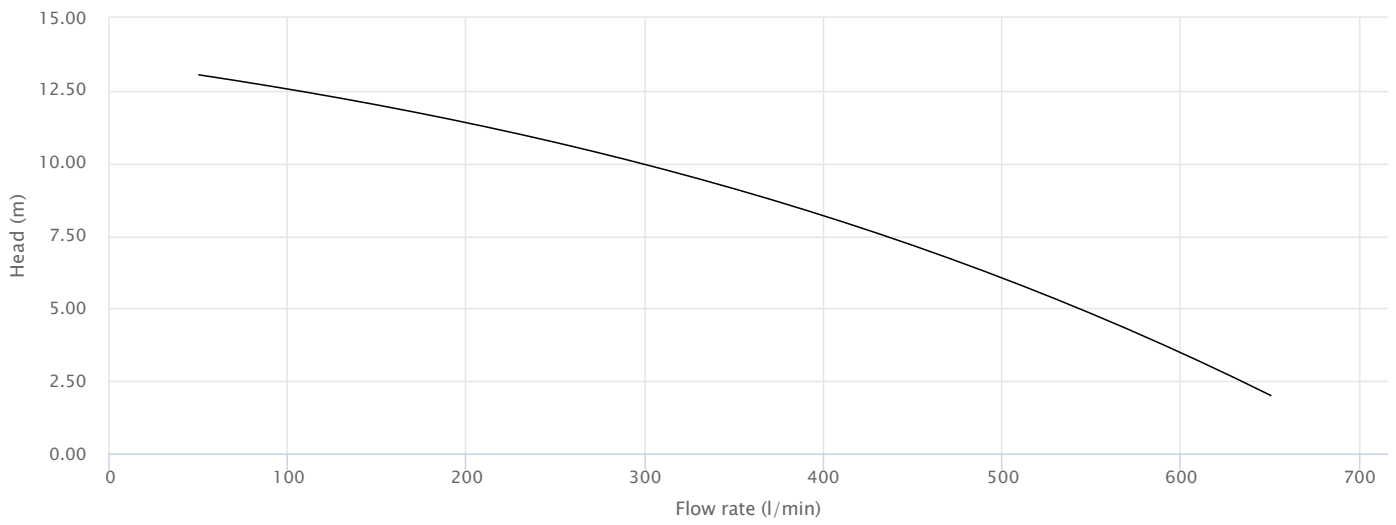
Input Data

Rated flow rate (requested)	0,000 l/min
Rated head (requested)	0,000 m
System geodetic head	0,000 m
System friction losses	0,000 m
NPSH Available	0,000 m
Liquid	Water
Temperature	20 °C
Density	998,1 kg/m ³
Kinematic Viscosity	1,00 mm ² /s
Vapour Pressure	2 318 Pa

Other Pump Data

Max Sound Pressure Level (1 m)	- dBA
Horizontal installation	No
Solids free passage	50,00 mm

Performance



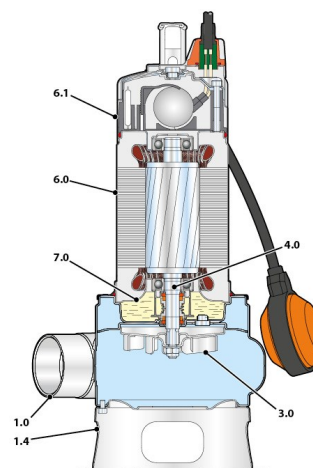
Construction

Bearings

Motor bearing - pump side	6203 2RS - C3
Motor bearing - opposite side	6203 ZZ

Shaft Seal

Seal Type	Double mechanical seal in an oil chamber
Diameter MS	14
Stationary Ring MS	Silicon Carbide
Rotating Ring MS	Graphite
Elastomer MS	NBR
Pump Side Model	MG1-14D SIC
Diameter PS	14
Stationary Ring PS	Silicon Carbide
Rotating Ring PS	Silicon Carbide
Elastomer PS	NBR



Materials

1.0 - Pump casing	Stainless steel EN 1.4301 (AISI 304)
1.4 - Base	Stainless steel EN 1.4301 (AISI 304)
2.0 - Cover	Stainless steel EN 1.4301 (AISI 304)
3.0 - Impeller	Stainless steel EN 1.4301 (AISI 304)
4.0 - Pump Shaft	Stainless steel EN 1.4057 (AISI 431)
6.0 - Motor casing	Stainless steel EN 1.4301 (AISI 304)
6.1 - Motor Cover	Stainless steel EN 1.4301 (AISI 304)
7.0 - Bracket	Grey cast iron GJL 200 EN 1561

Dimensions

DN2	a	b	c	d	h	h1	p	x	Kg
	[mm]								
2"	102	96	145	60	483	107	500	500	10,5

